

SeaConnect™

4/7/12 ROV Wet-Mate Connectors

RMSpumptools field proven SeaConnect™ electrical connectors provide a wet-mate connection for all subsea monitoring and control requirements including Subsea Trees, production control systems and distribution units. The product utilises RMSpumptools highly reliable proven TRL 7 connection technology (in accordance with API 17F were applicable). Jumper harnesses, splitter boxes, transducers are offered as part of the configurable system.

Specifications

| | |
|------------------------|---------------------|
| Current Capacity: | 20 amps per contact |
| Operating Temperature: | -5°C to 60°C |
| Working Depth: | 4,000 metres |
| Voltage: | 1 kV AC |
| Design Life: | 30 years |

Materials

| | |
|----------------------|-------------------------------------|
| Housing: | 316 Stainless Steel or Super Duplex |
| Insulation: | PEEK |
| Elastomers: | Silicone, HNBR, Nitrile |
| Electrical Contacts: | Gold Plated Copper |

Termination Options

Oil-filled Hose

1/2"NB oil filled hose termination.
Pressure compensation hose.

Field Installable Termination Assembly (FITA) Gland

Pressure compensating termination assembly onto cable.
Oil-Filled termination chamber.
Can be terminated in customer facilities.

Qualification Testing

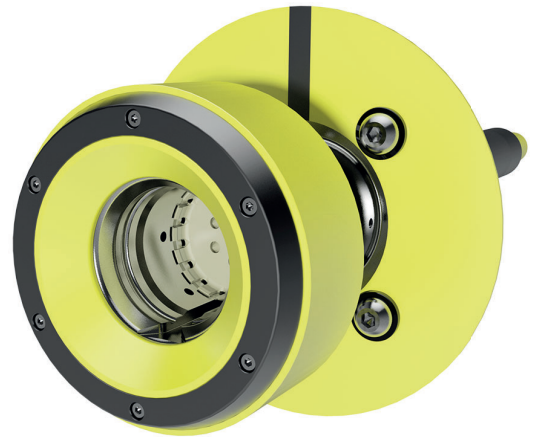
Contact & Insulation Resistance
Proof Voltage
1000 Mate/De-Mate Cycles
Functional Mate / De-Mate
Turbid Tank Partial Mate
Pressure Burst
Flooded Devices
Flooded Front End
Endurance
Thermal Cycles
Shell Continuity
Voltage Withstand
Shock (Drop Test)
Thermal Shock Test
Thermal Vibration Test
Temperature Rise
Connect / disconnect Force Testing
Short Circuit
High Voltage Breakdown
Flooded Back End
Flooded Back End Long term
Partial Discharge Testing
Bulk Head Test
Compliant Flange Test
Handle Test: Bending & Twisting
Helium Leak
Maximum Misalignment
Twisting
Jumper Pull
Jumper Handling Simulation
Oscillating Jumper
Simulated Deployment

ROV Handle Options

Paddle, Fish Tail, T-Bar

Key Performance Features

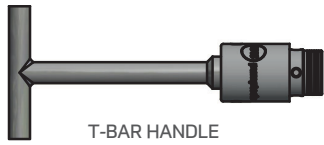
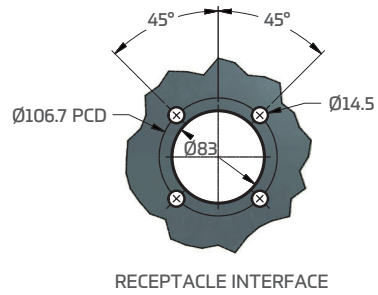
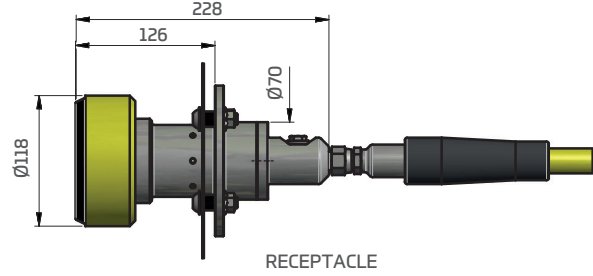
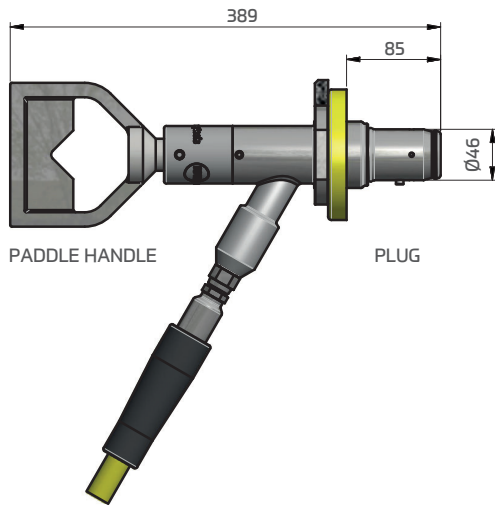
Patented Latching Device.
Flexibly Mounted ROV Handle.
Seawater Protected Contacts on both Male & Female.
No Dummy Connectors required for protection when unmated in Subsea Environments.
Oil Filled Pressure Balanced Design.



SeaConnect™

4/7/12 ROV Wet-Mate Connectors

4/7 Way ROV Wet-Mate Connectors (Hose Type)



4/7 Way ROV Wet-Mate Connectors (Hose Type)

